

# PharMix® MSP Mechanical Seal Port Adapter for Removable Nozzles

**X-7334-1**

## Technical Data Sheet

**Patent Pending Mechanical Seal Port adapter design allows for true hygienic connections to a removable nozzle on an agitator mechanical seal:**

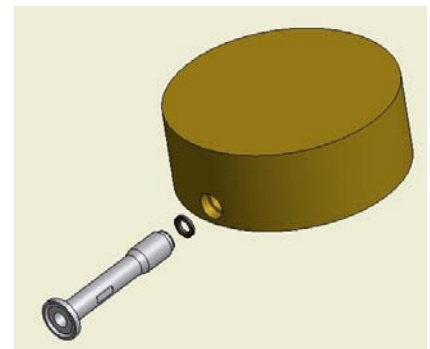
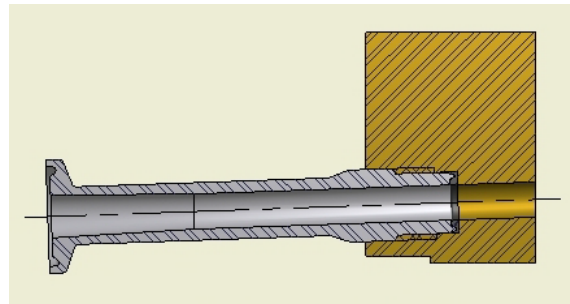
- Eliminates non-sanitary tapered pipe threads found internally on most seals
- Eliminates the need for welded-on sanitary fittings that prohibit easy installation and maintenance of the seal
- Flush interior, smooth profile, self-draining
- Standard ½" Hygienic (Tri-Clamp) fitting connection, other fitting styles available upon request
- Straight threads are not in contact with product-used only for mechanical fastening and seating the gasket
- Removable nozzles available in many lengths
- Standard TufSteel® gasket material is low friction allowing no binding or rippling of the seal when tightening, plus it is non-compressible eliminating extrusion and providing a true hygienic connection (A #011 o-ring can be used in place of the PharMix® MSP seal if desired)
- Easy to install and maintain
  - Snap-On, Self-Centering gasket design for easy blind installation
  - Simply snap-on the gasket to the adapter, screw in and tighten



➤ **An industry leading, PharMix® exclusive standard feature:**

- The PharMix® MSP can be readily incorporated into many mechanical seal brands such as PharMix®, Flowserve®, John Crane®, or virtually any other brand of mechanical seal when ordered with a PharMix® agitator

➤ **The PharMix® MSP difference:**



- TufSteel®, a blend of Teflon and 316 stainless steel is the standard seal material offered, others are available upon request
- This Patent Pending seal design is also available for use on PharMix® agitator couplings, sanitary diptube assemblies, removable spargers, bolts, along with clamped and screwed fittings, or other applications replacing typical o-ring or Tri-Clamp® type gaskets.